

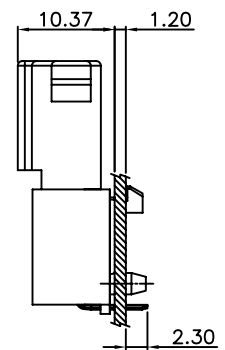
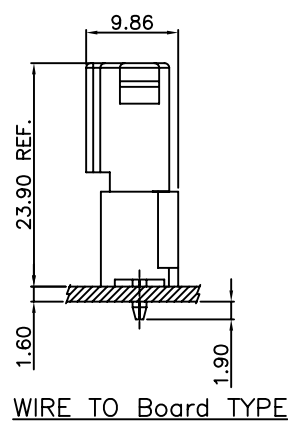
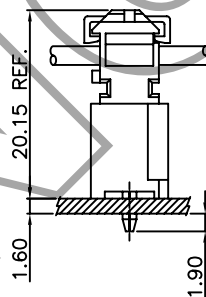
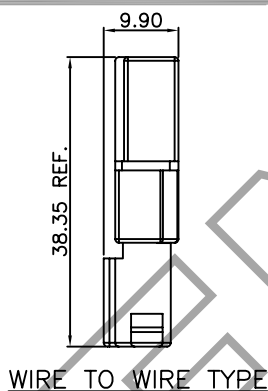
## Specifications

Current rating: 10A AC,DC  
 Voltage rating: 250V AC,DC  
 Temperature range: -25°C ~ +85°C  
 Contact resistance: 20mΩ Max.  
 Insulation resistance: 1000MΩ Min.  
 Withstanding voltage: 1500V AC/minute  
 \*Contact E.N for Details\*

## Standards



## Assembly layout



## Ordering code

A5081 —  $\frac{I}{①}$   $\frac{P}{②③}$

- ① Series No.
- ② Plating code: T=Tin-plated, G=Gold-flash
- ③ Material: P=Phosphor bronze

A5081  $\frac{WV}{①}$   $\frac{A}{②}$   $\frac{NP}{③④}$

- ① Series No.
- ② Connector type: WV=Vertical, WR=Right angle
- ③ Blank=Normal type  
A=A type
- ④ No. of circuits

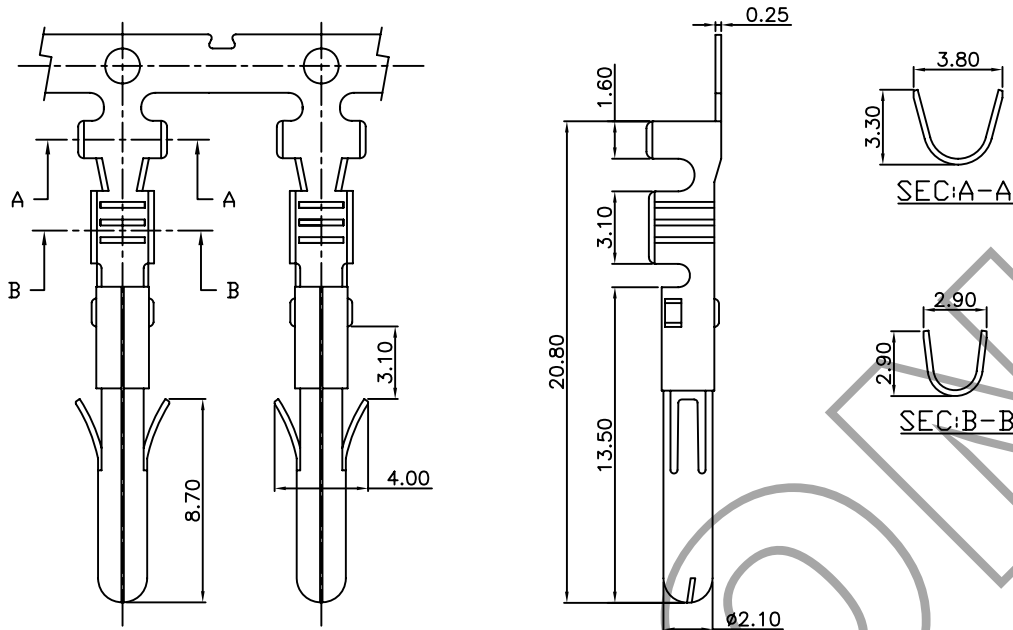
A5081  $\frac{HF}{①}$   $\frac{HM}{②}$   $\frac{NP}{③}$

- ① Series No.
- ② HF=Receptacle Housing HM=Plug Housing  
HI=I.D.C. Connector
- ③ No. of circuits

**A5081M-T** — 5.08mm pitch Crimp Terminal

**Reference Informations:**

\*Mates with E.N A5081HM series Housing



**Ordering Information & Specifications**

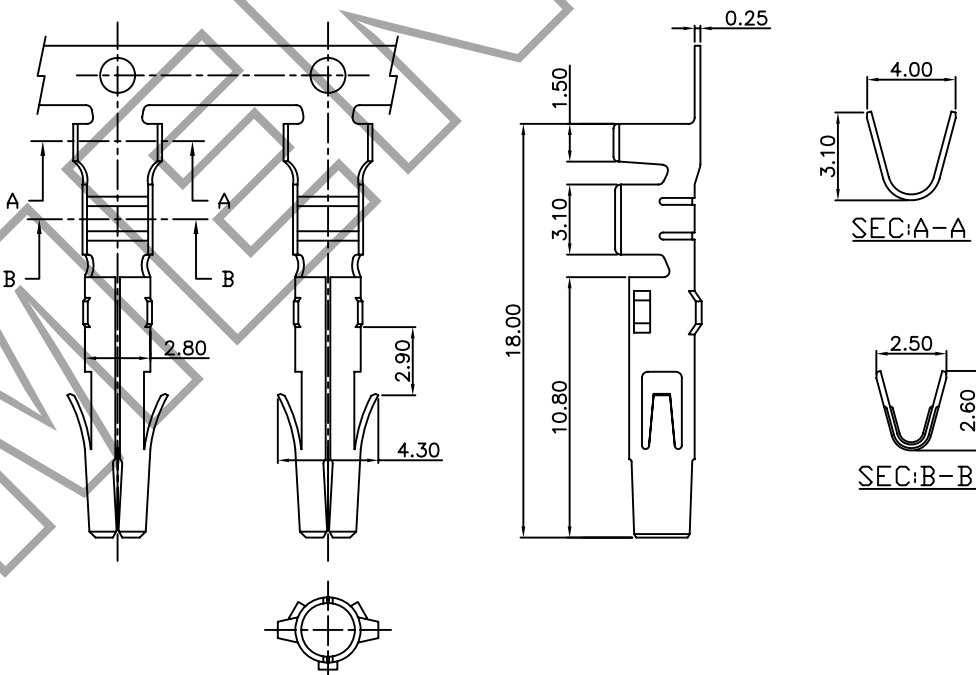
Unit: mm

| Part No   | Wire Range | Insulation O.D. | Material | Finish     | Qty/reel |
|-----------|------------|-----------------|----------|------------|----------|
| A5081M-TP | AWG#16-#22 | 3.0mm(max)      | Brass    | Tin-plated | 7,000pcs |

**A5081F-T** — 5.08mm pitch Crimp Terminal

**Reference Informations:**

\*Mates with E.N A5081HF series Housing



**Ordering Information & Specifications**

Unit: mm

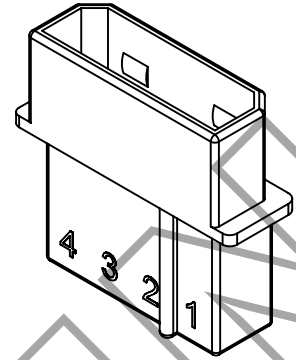
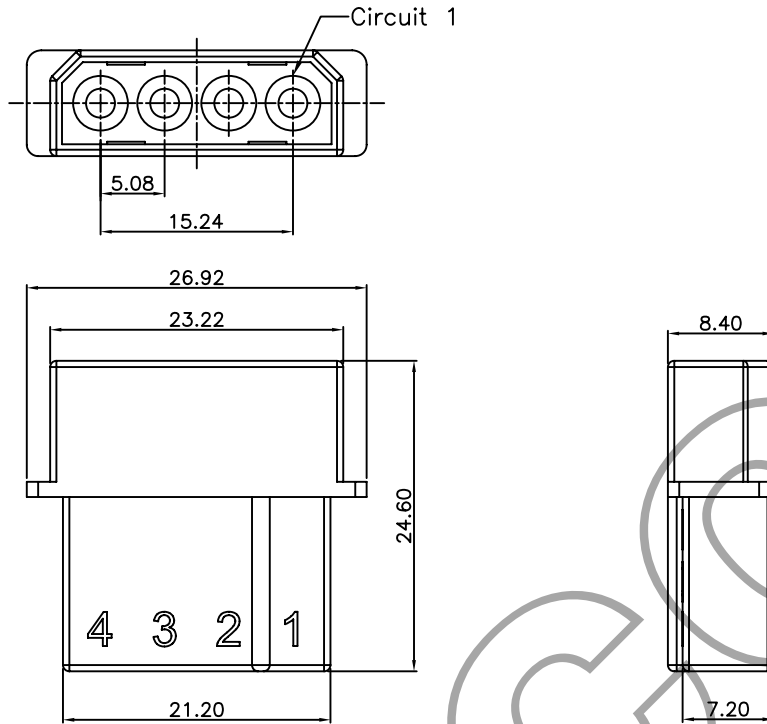
| Part No   | Wire Range | Insulation O.D. | Material | Finish     | Qty/reel |
|-----------|------------|-----------------|----------|------------|----------|
| A5081F-TP | AWG#16-#22 | 3.0mm(max)      | Brass    | Tin-plated | 7,000pcs |

## A5081HF

5.08mm pitch Housing

### Reference Informations:

- \*Material: Nylon 66,UL94V-2
- \*Suitable E.N A5081F series Terminal
- \*Mates with E.N A5081HF or A5081HI series Housing

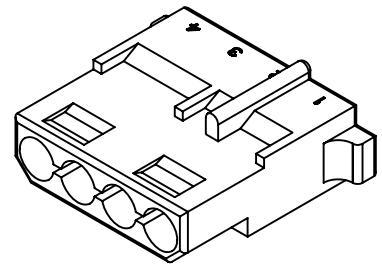
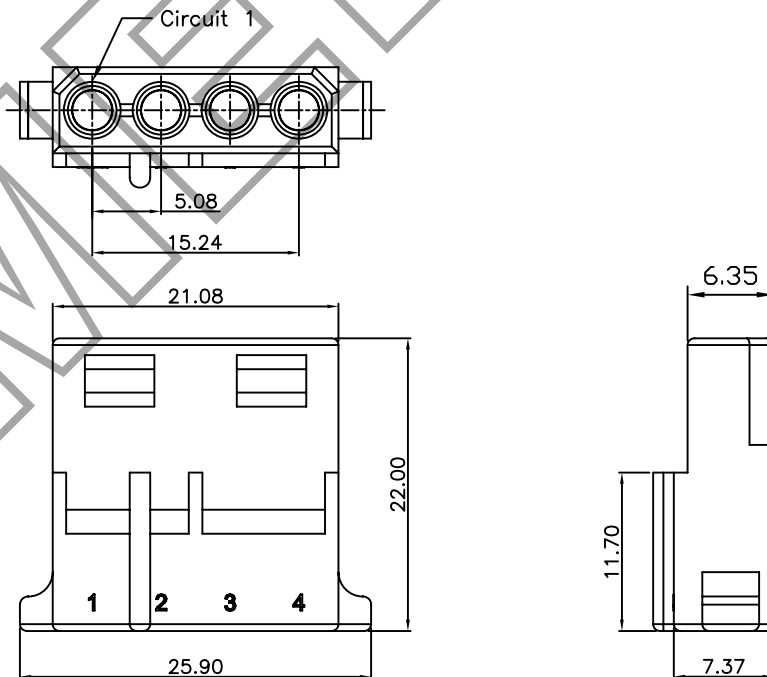


## A5081HMA

5.08mm pitch Housing

### Reference Informations:

- \*Material: Nylon 66,UL94V-2
- \*Suitable E.N A5081F series Terminal
- \*Mates with E.N A5081HM series Housing Or A5081 Series Wafer

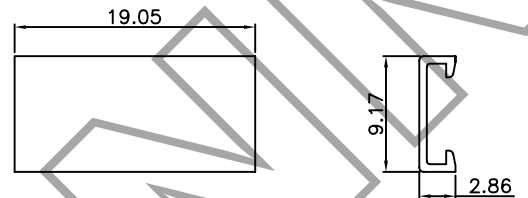
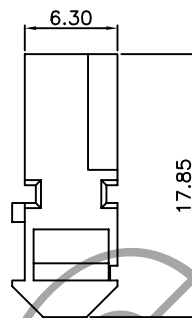
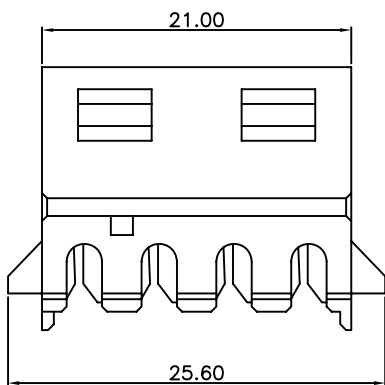
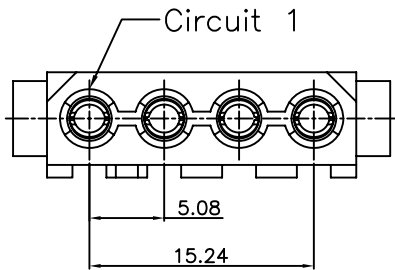


## A5081HM

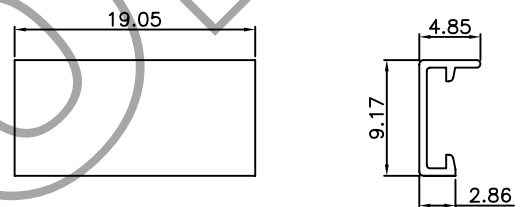
5.08mm pitch Housing

### Reference Informations:

- \*Material: Nylon 66,UL94V-2
- \*Suitable E.N A5081F series Terminal
- \*Mates with E.N A5081HM series Housing  
Or A5081 series Wafer



C5080HI-C(Through type)



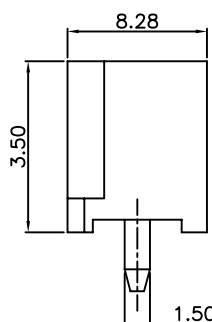
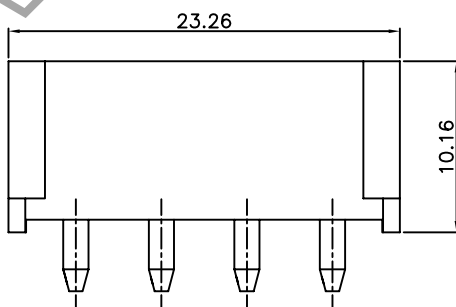
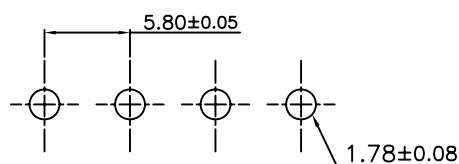
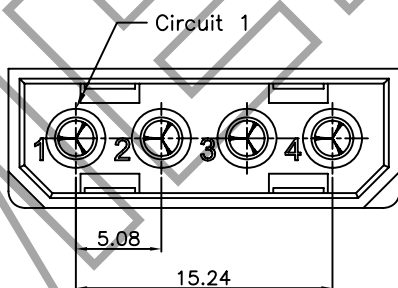
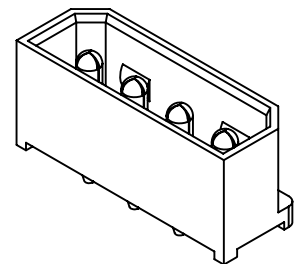
C5080HI-CA(End type)

## A5081WW

5.08mm pitch 180° Wafer

### Reference Informations:

- Reference Informations:
- \*Material: Pin: Brass/Tin-plated  
Wafer: Nylon 66,UL94V-2
- \*Mates with E.N A5080HF series Housing  
Or A5080HI series Housing



**A5081WR**

5.08mm pitch 90° Wafer

**Reference Informations:**

Reference Informations:

- \*Material: Pin: Brass/Tin-plated  
Wafer: Nylon 66,UL94V-2
- \*Mates with E.N A5080HF series Housing  
Or A5080HI series Housing

