

## Specifications

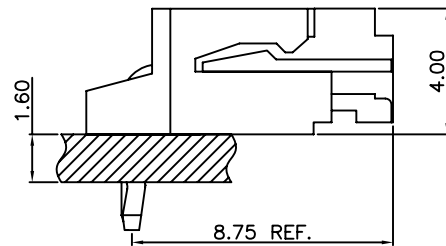
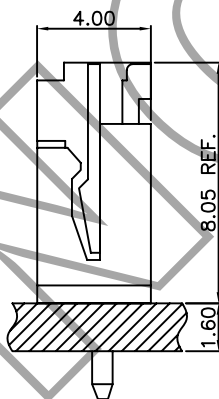
Current rating: 3A AC,DC  
 Voltage rating: 250V AC,DC  
 Temperature range: -40°C ~ +105°C  
 Contact resistance: 20mΩ Max.  
 Insulation resistance: 100MΩ Min.  
 Withstanding voltage: 1000V AC/minute  
 \*Contact E.N for Details\*

## Standards



E473953

## Assembly layout



## Ordering code

A2502 - I P  
 ①            ② ③

- ① Series No.
- ② Plating code: T=Tin-plated, G=Gold-flash
- ③ Material: P=Phosphor bronze

A2502 WR A -NP  
 ①            ② ③ ④

- ① Series No.
- ② Connector type: WV=Vertical, WR=Right angle
- ③ Blank=Normal type  
A=A type
- ④ No. of circuits

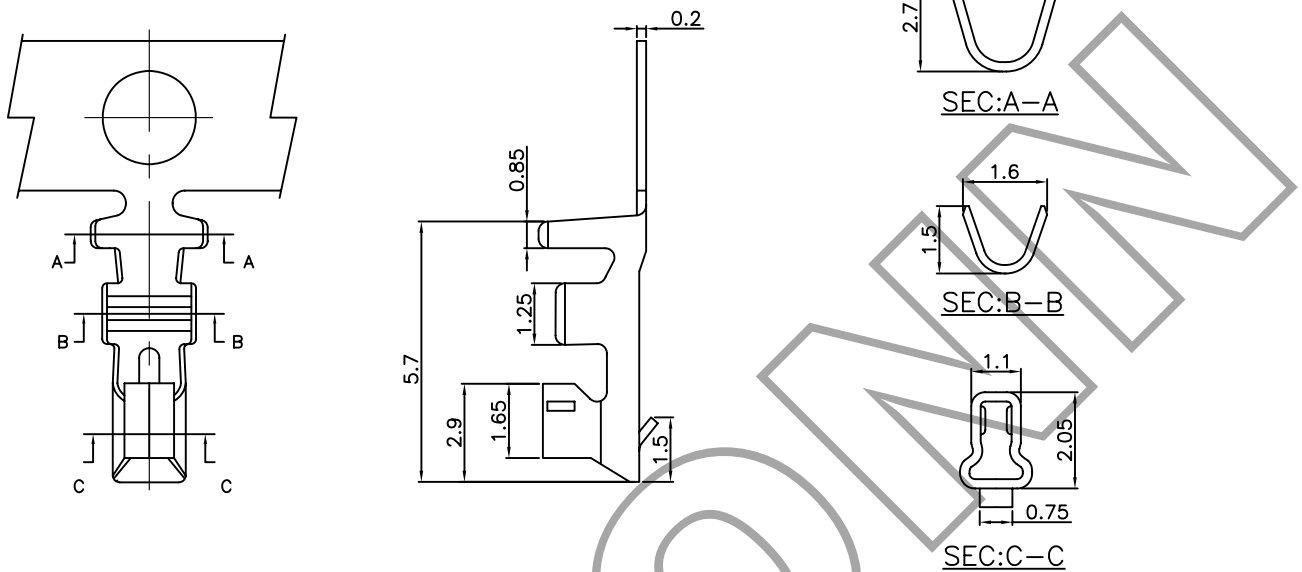
A2502 H - NP  
 ①            ② ③

- ① Series No.
- ② H=Housing
- ③ No. of circuits

## A2502-T 2.50mm pitch Crimp Terminal

### Reference Informations:

\*Mates with E.N A2502 series Housing



### Ordering Information & Specifications

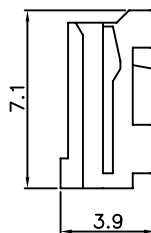
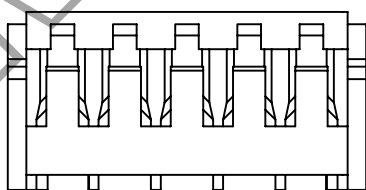
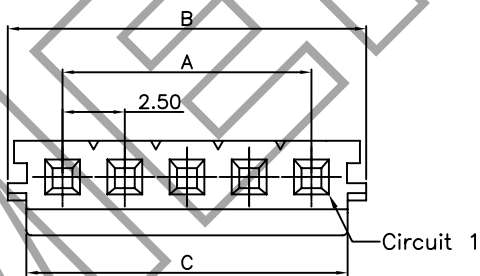
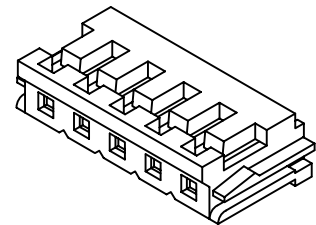
Unit: mm

Part No	Wire Range	Insulation O.D.	Material	Finish	Qty/reel
A2502-TP	AWG#24-#30	1.40mm(max)	Phosphor Bronze	Tin-plated	12,000pcs
A2502-PT	AWG#24-#30	1.40mm(max)	Phosphor Bronze	Tin-plated	12,000pcs

## A2502H 2.50mm pitch Housing

### Reference Informations:

- \*Material: Nylon 66,UL94V-2
- \*Suitable E.N A2502 series Terminal
- \*Mates with E.N A2502 series Wafer



### Ordering Information & Dimensions

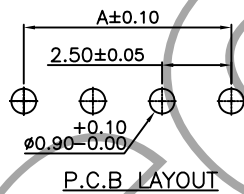
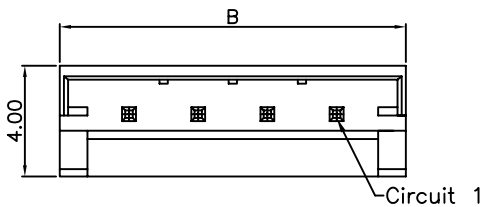
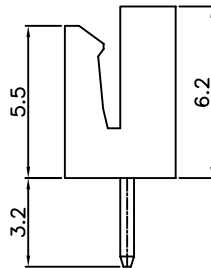
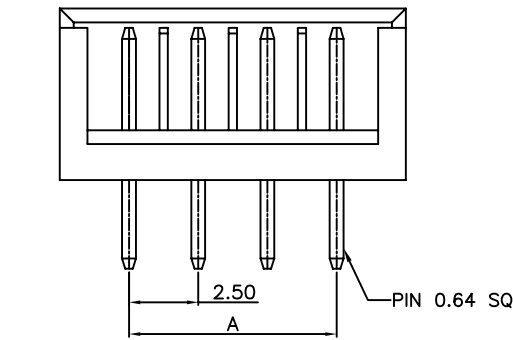
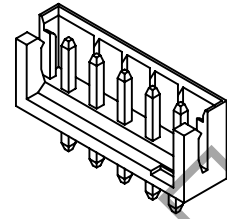
PART NO.	Dimensions		
	A	B	C
A2502H-02P	2.50	7.50	5.40
A2502H-03P	5.00	10.00	7.90
A2502H-04P	7.50	12.50	10.40
A2502H-05P	10.00	15.00	12.90
A2502H-06P	12.50	17.50	15.40
A2502H-07P	15.00	20.00	17.90
A2502H-08P	17.50	22.50	20.40
A2502H-09P	20.00	25.00	22.90
A2502H-10P	22.50	27.50	25.40
A2502H-11P	25.00	30.00	27.90
A2502H-12P	27.50	32.50	30.40
A2502H-13P	30.00	35.00	32.90
A2502H-14P	32.50	37.50	35.40
A2502H-15P	35.00	40.00	37.90
A2502H-16P	37.50	42.50	40.40
A2502H-17P	40.00	45.00	42.90
A2502H-18P	42.50	47.50	45.40

## A2502WV — 2.50mm pitch 180° Wafer

### Reference Informations:

\*Material: Pin: Brass/Tin-plated  
Wafer:PA66,UL94V-0

\*Mates with E.N A2502 series Housing



### Ordering Information & Dimensions

PART NO.	Dimensions	
	A	B
A2502WV-02P	2.50	7.50
A2502WV-03P	5.00	10.00
A2502WV-04P	7.50	12.50
A2502WV-05P	10.00	15.00
A2502WV-06P	12.50	17.50
A2502WV-07P	15.00	20.00
A2502WV-08P	17.50	22.50
A2502WV-09P	20.00	25.00
A2502WV-10P	22.50	27.50
A2502WV-11P	25.00	30.00
A2502WV-12P	27.50	32.50
A2502WV-13P	30.00	35.00
A2502WV-14P	32.50	37.50
A2502WV-15P	35.00	40.00
A2502WV-16P	37.50	42.50
A2502WV-17P	40.00	45.00
A2502WV-18P	42.50	47.50

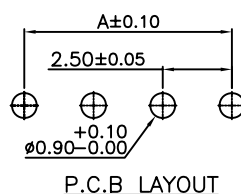
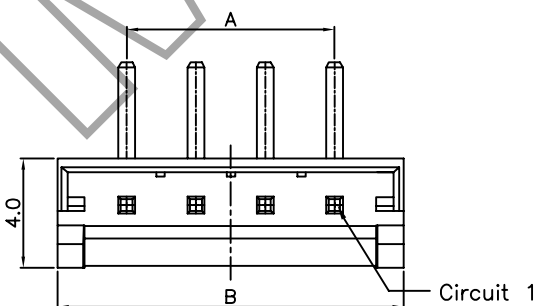
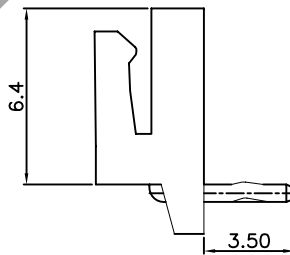
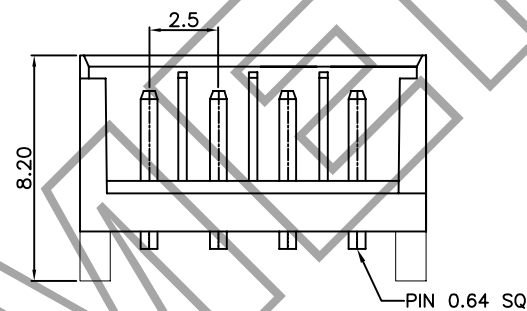
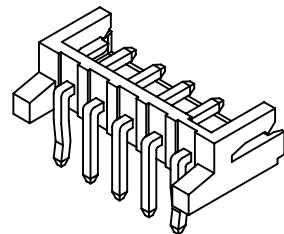
Unit: mm

## A2502WR — 2.50mm pitch 90° Wafer

### Reference Informations:

\*Material: Pin: Brass/Tin-plated  
Wafer:PA66,UL94V-0

\*Mates with E.N A2502 series Housing



### Ordering Information & Dimensions

PART NO.	Dimensions	
	A	B
A2502WR-02P	2.50	7.50
A2502WR-03P	5.00	10.00
A2502WR-04P	7.50	12.50
A2502WR-05P	10.00	15.00
A2502WR-06P	12.50	17.50
A2502WR-07P	15.00	20.00
A2502WR-08P	17.50	22.50
A2502WR-09P	20.00	25.00
A2502WR-10P	22.50	27.50
A2502WR-11P	25.00	30.00
A2502WR-12P	27.50	32.50
A2502WR-13P	30.00	35.00
A2502WR-14P	32.50	37.50
A2502WR-15P	35.00	40.00
A2502WR-16P	37.50	42.50
A2502WR-17P	40.00	45.00
A2502WR-18P	42.50	47.50

Unit: mm