

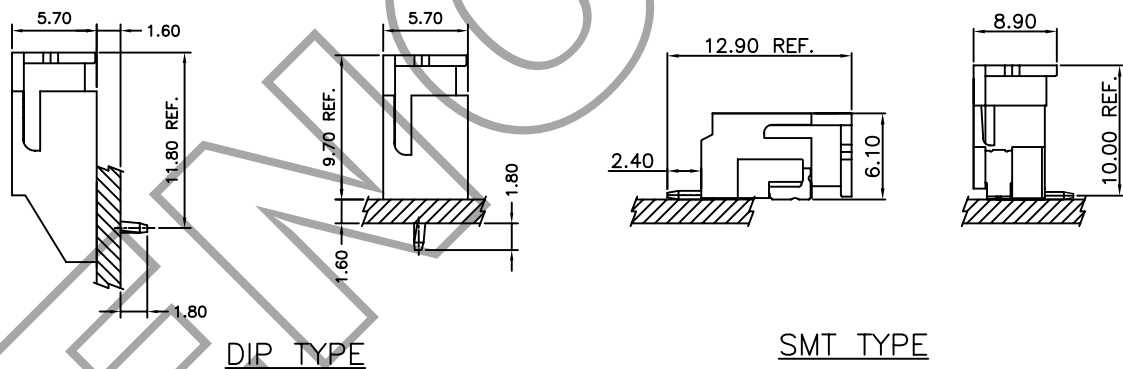
## Specifications

Current rating: 3A AC,DC  
 Voltage rating: 250V AC,DC  
 Temperature range: -40°C ~ +105°C  
 Contact resistance: 20mΩ Max.  
 Insulation resistance: 100MΩ Min.  
 Withstanding voltage: 1000V AC/minute  
 \*Contact E.N for Details\*

## Standards



## Assembly layout



## Ordering code

A2501 - I P  
 ① ② ③

- ① Series No.
- ② Plating code: T=Tin-plated, G=Gold-flash
- ③ Material: P=Phosphor bronze

A2501 H - NP  
 ① ② ③

- ① Series No.
- ② H=Housing
- ③ No. of circuits

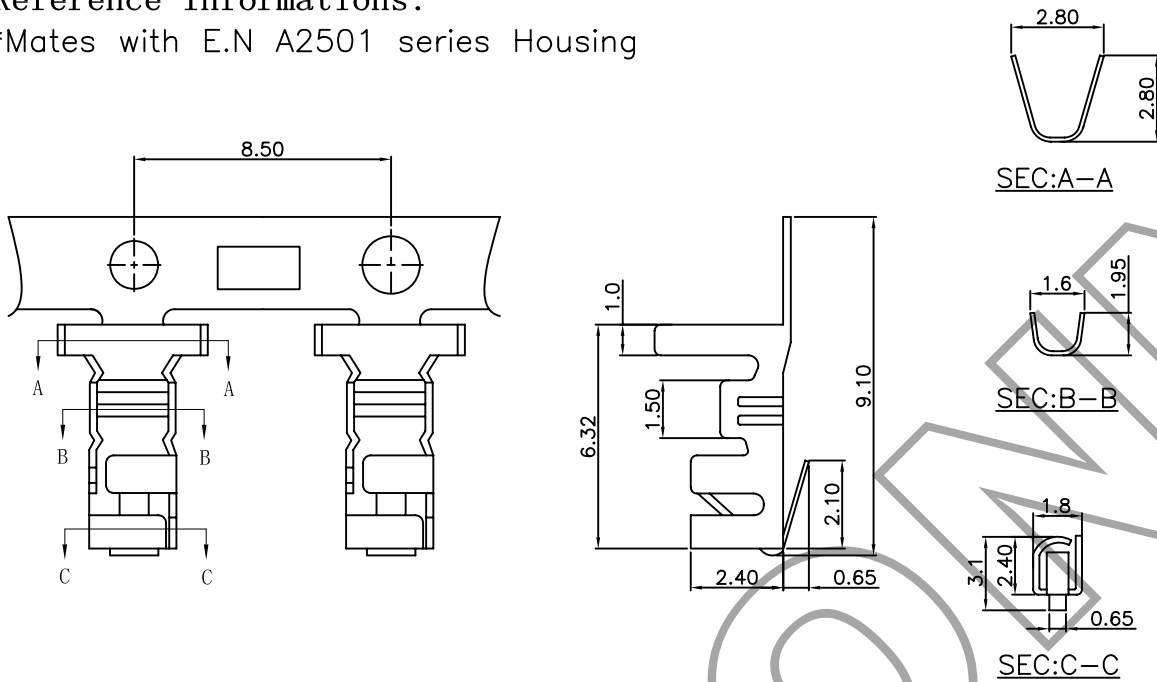
A2501 WR A - S - NP  
 ① ② ③ ④ ⑤

- ① Series No.
- ② Connector type: WV=Vertical, WR=Right angle
- ③ Blank=Normal type  
A=A type
- ④ Mounting type: Blank=Through hole  
-S=SMT
- ⑤ No. of circuits

## A2501-T 2.50mm pitch Crimp Terminal

### Reference Informations:

\*Mates with E.N A2501 series Housing



### Ordering Information & Specifications

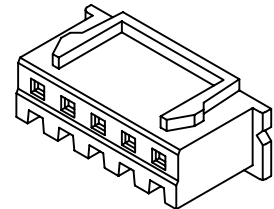
Unit: mm

Part No	Wire Range	Insulation O.D.	Material	Finish	Qty/reel
A2501-TP	AWG#22-#28	1.70mm(max)	Phosphor Bronze	Tin-plated	7,000pcs
A2501-PT	AWG#22-#28	1.70mm(max)	Phosphor Bronze	Tin-plated	7,000pcs

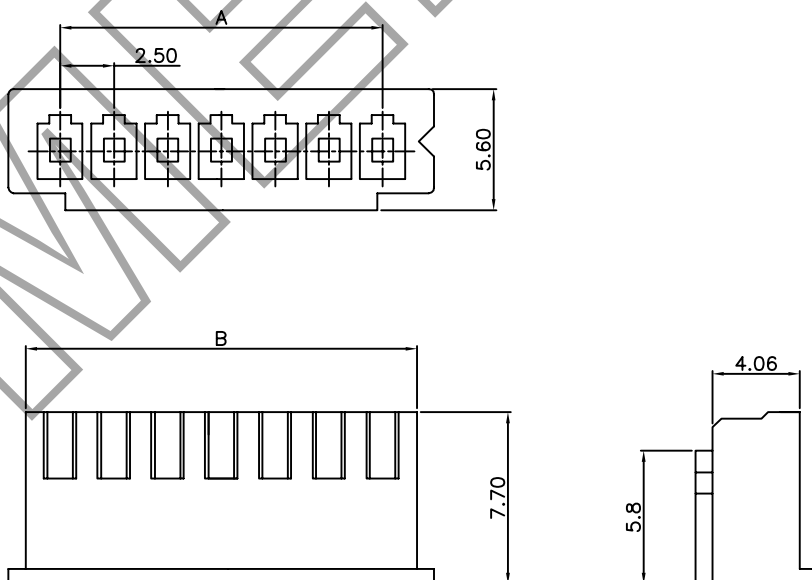
## A2501H 2.50mm pitch Housing

### Reference Informations:

- \*Material: Nylon 66,UL94V-2
- \*Suitable E.N A2501 series Terminal
- \*Mates with E.N A2501 series Wafer



### Ordering Information & Dimensions



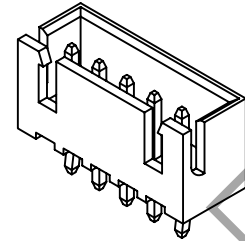
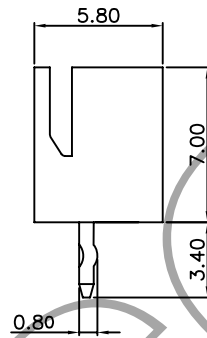
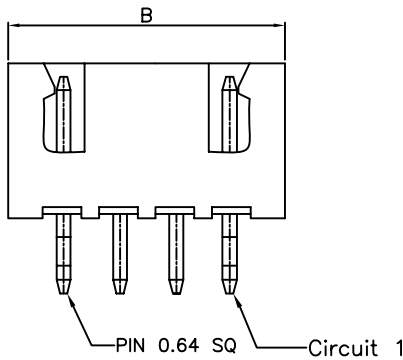
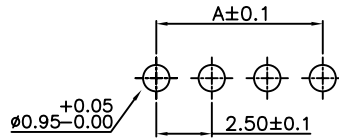
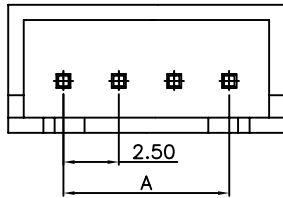
PART NO.	Dimensions	
	A	B
A2501H-02P	2.50	5.70
A2501H-03P	5.00	8.20
A2501H-04P	7.50	10.70
A2501H-05P	10.00	13.20
A2501H-06P	12.50	15.70
A2501H-07P	15.00	18.20
A2501H-08P	17.50	20.70
A2501H-09P	20.00	23.20
A2501H-10P	22.50	25.70
A2501H-11P	25.00	28.20
A2501H-12P	27.50	30.70
A2501H-13P	30.00	33.20
A2501H-14P	32.50	35.70
A2501H-15P	35.00	38.20
A2501H-16P	37.50	40.70
A2501H-17P	40.00	43.20
A2501H-18P	42.50	45.70

Unit: mm

## A2501WV — 2.50mm pitch 180° Wafer

### Reference Informations:

- \*Material: Pin: Brass/Tin-plated  
Wafer: Nylon 66,UL94V-0
- \*Mates with E.N A2501 series Housing



Ordering Information & Dimensions

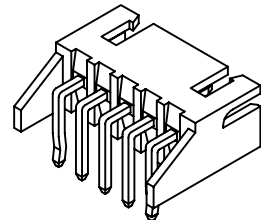
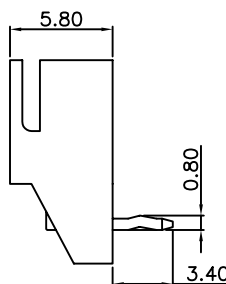
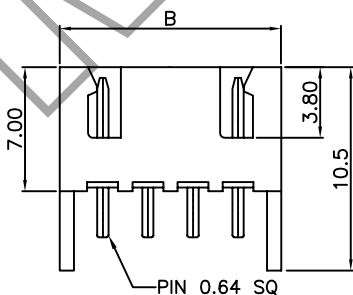
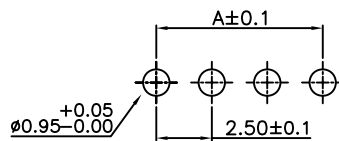
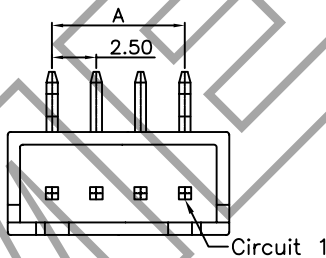
PART NO.	Dimensions	
	A	B
A2501WV-02P	2.50	7.50
A2501WV-03P	5.00	10.00
A2501WV-04P	7.50	12.50
A2501WV-05P	10.00	15.00
A2501WV-06P	12.50	17.50
A2501WV-07P	15.00	20.00
A2501WV-08P	17.50	22.50
A2501WV-09P	20.00	25.00
A2501WV-10P	22.50	27.50
A2501WV-11P	25.00	30.00
A2501WV-12P	27.50	32.50
A2501WV-13P	30.00	35.00
A2501WV-14P	32.50	37.50
A2501WV-15P	35.00	40.00
A2501WV-16P	37.50	42.50
A2501WV-17P	40.00	45.00
A2501WV-18P	42.50	47.50

Unit: mm

## A2501WR — 2.50mm pitch 180° Wafer

### Reference Informations:

- \*Material: Pin: Brass/Tin-plated  
Wafer: Nylon 66,UL94V-0
- \*Mates with E.N A2501 series Housing



Ordering Information & Dimensions

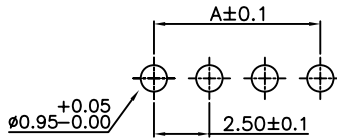
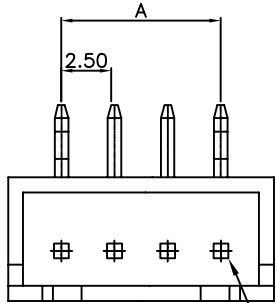
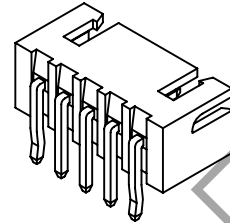
PART NO.	Dimensions	
	A	B
A2501WR-02P	2.50	7.50
A2501WR-03P	5.00	10.00
A2501WR-04P	7.50	12.50
A2501WR-05P	10.00	15.00
A2501WR-06P	12.50	17.50
A2501WR-07P	15.00	20.00
A2501WR-08P	17.50	22.50
A2501WR-09P	20.00	25.00
A2501WR-10P	22.50	27.50
A2501WR-11P	25.00	30.00
A2501WR-12P	27.50	32.50
A2501WR-13P	30.00	35.00
A2501WR-14P	32.50	37.50
A2501WR-15P	35.00	40.00
A2501WR-16P	37.50	42.50
A2501WR-17P	40.00	45.00
A2501WR-18P	42.50	47.50

Unit: mm

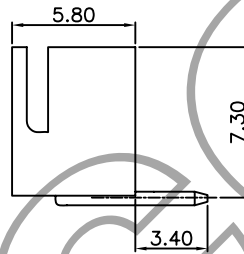
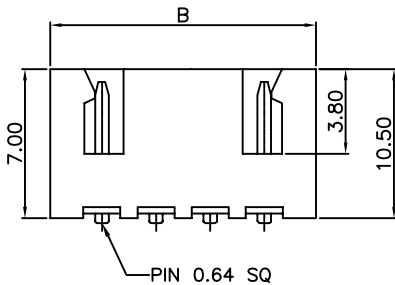
## A2501WVR 2.50mm pitch 90° Wafer

### Reference Informations:

- \*Material: Pin: Brass/Tin-plated  
Wafer: Nylon 66,UL94V-2
- \*Mates with E.N A2501 series Housing



Circuit 1



### Ordering Information & Dimensions

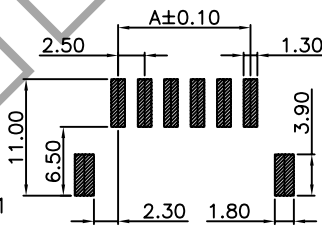
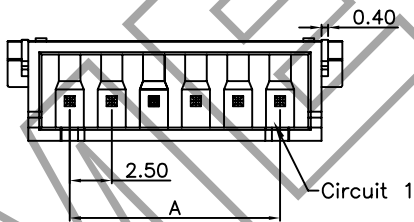
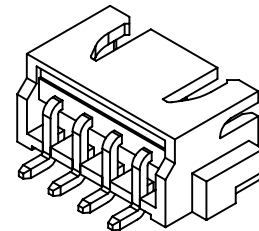
PART NO.	Dimensions	
	A	B
A2501WVR-02P	2.50	7.50
A2501WVR-03P	5.00	10.00
A2501WVR-04P	7.50	12.50
A2501WVR-05P	10.00	15.00
A2501WVR-06P	12.50	17.50
A2501WVR-07P	15.00	20.00
A2501WVR-08P	17.50	22.50
A2501WVR-09P	20.00	25.00
A2501WVR-10P	22.50	27.50
A2501WVR-11P	25.00	30.00
A2501WVR-12P	27.50	32.50
A2501WVR-13P	30.00	35.00
A2501WVR-14P	32.50	37.50
A2501WVR-15P	35.00	40.00
A2501WVR-16P	37.50	42.50
A2501WVR-17P	40.00	45.00
A2501WVR-18P	42.50	47.50

Unit: mm

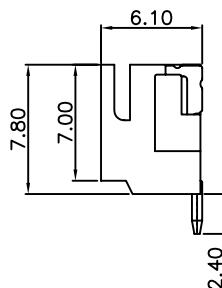
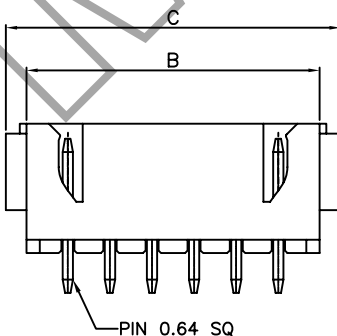
## A2501WR-S 2.50mm pitch 90° Wafer - SMT TYPE

### Reference Informations:

- \*Material: Pin: Brass/Tin-plated  
Solder Tabs: Brass/Tin-plated  
Wafer: LCP/PA6T,UL94V-0
- \*Mates with E.N A2501 series Housing



P.C.B LAYOUT



### Ordering Information & Dimensions

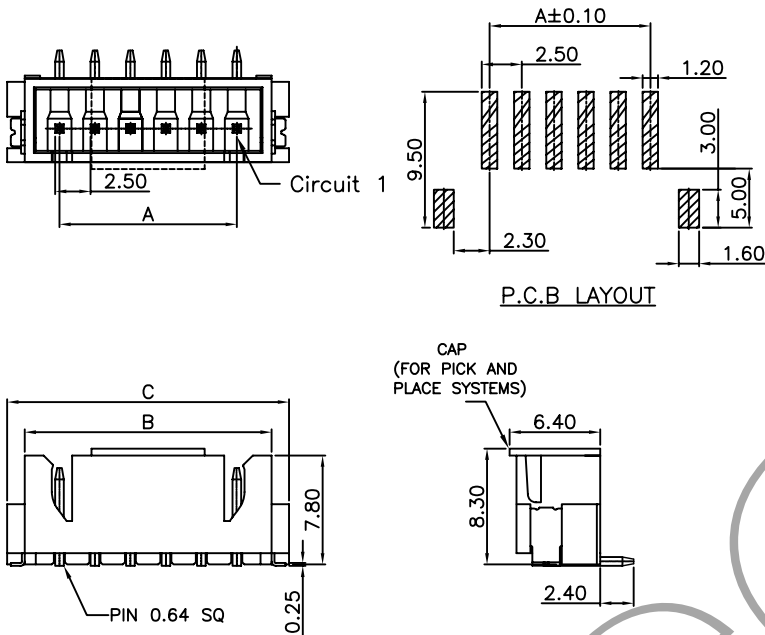
PART NO.	Dimensions		
	A	B	C
A2501WR-S-02P	2.50	7.50	10.00
A2501WR-S-03P	5.00	10.00	12.50
A2501WR-S-04P	7.50	12.50	15.00
A2501WR-S-05P	10.00	15.00	17.50
A2501WR-S-06P	12.50	17.50	20.00
A2501WR-S-07P	15.00	20.00	22.50
A2501WR-S-08P	17.50	22.50	25.00
A2501WR-S-09P	20.00	25.00	27.50
A2501WR-S-10P	22.50	27.50	30.00
A2501WR-S-11P	25.00	30.00	32.50
A2501WR-S-12P	27.50	32.50	35.00
A2501WR-S-13P	30.00	35.00	37.50
A2501WR-S-14P	32.50	37.50	40.00
A2501WR-S-15P	35.00	40.00	42.50
A2501WR-S-16P	37.50	42.50	45.00
A2501WR-S-17P	40.00	45.00	47.50
A2501WR-S-18P	42.50	47.50	50.00

Unit: mm

## A2501WV-S — 2.50mm pitch 180° Wafer — SMT TYPE

### Reference Informations:

- \*Material: Pin: Brass/Tin-plated  
Solder Tabs: Brass/Tin-plated  
Wafer: LCP/PA6T,UL94V-0
- \*Mates with E.N A2501 series Housing



### Ordering Information & Dimensions

PART NO.	Dimensions		
	A	B	C
A2501WV-S-02P	2.50	7.50	10.00
A2501WV-S-03P	5.00	10.00	12.50
A2501WV-S-04P	7.50	12.50	15.00
A2501WV-S-05P	10.00	15.00	17.50
A2501WV-S-06P	12.50	17.50	20.00
A2501WV-S-07P	15.00	20.00	22.50
A2501WV-S-08P	17.50	22.50	25.00
A2501WV-S-09P	20.00	25.00	27.50
A2501WV-S-10P	22.50	27.50	30.00
A2501WV-S-11P	25.00	30.00	32.50
A2501WV-S-12P	27.50	32.50	35.00
A2501WV-S-13P	30.00	35.00	37.50
A2501WV-S-14P	32.50	37.50	40.00
A2501WV-S-15P	35.00	40.00	42.50
A2501WV-S-16P	37.50	42.50	45.00
A2501WV-S-17P	40.00	45.00	47.50
A2501WV-S-18P	42.50	47.50	50.00

Unit: mm